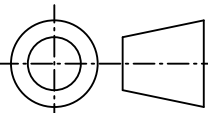


DRAWN		VIEW OF ANGEL		DAWN TOOLS & VICES PTY LTD	
APPROVAL				NAME	TOGGLE CLAMP
CHECK		UNIT	mm	MODEL NO.	61766
DATE		SIZE	A4	MATERIAL	AISI 1008
ORDER		SCALE	1:1	SURFACE TREATMENT	ZINC
UPDATE		NOTE			