

DAWN TOOLS & VICES

A Division of Siddons Pty. Ltd.

1 NORRIS STREET, NORTH COBURG, VICTORIA 3058 AUSTRALIA

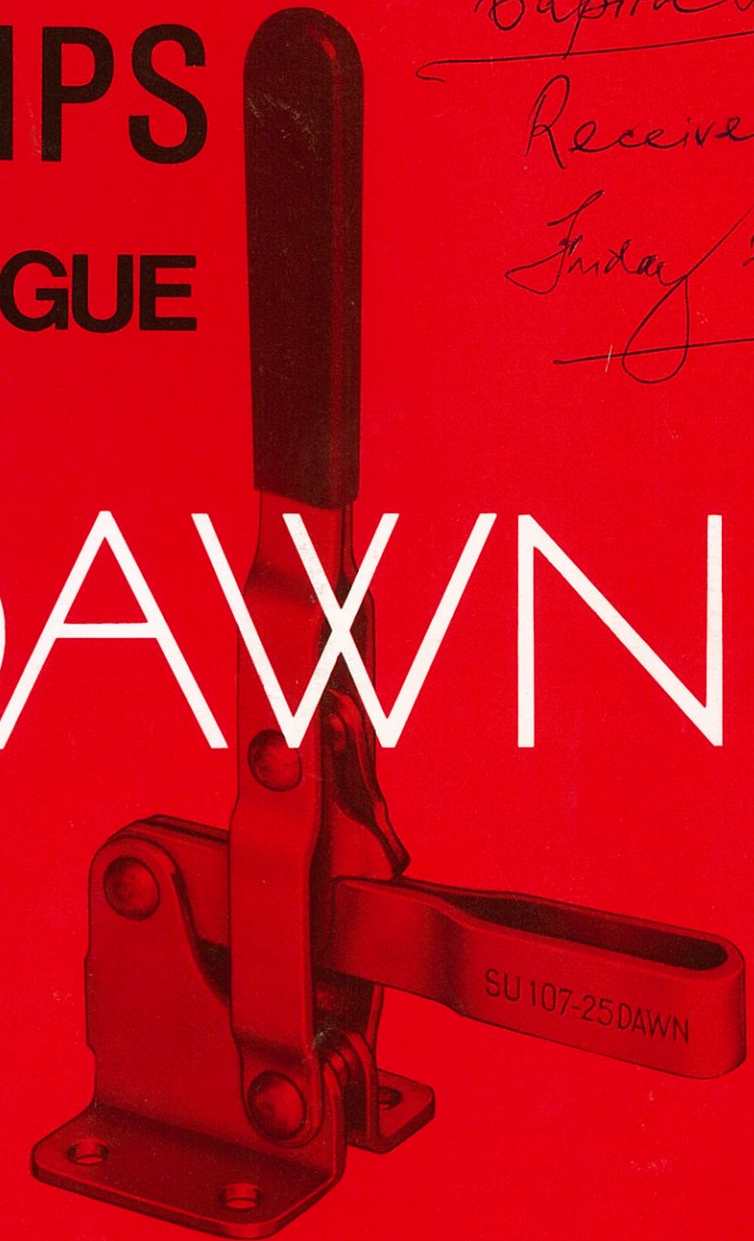
Postal Address: P.O. Box 1, Coburg
Victoria 3058

Telegrams and Cables:
Dawnvices, Melbourne
Telephone: 350 3811 (6 lines)
Telex. DAWN TV. AA 35809

VICTORIA	SIDCHROME, 58 DOUGHARTY ROAD, HEIDELBERG WEST, 3081	PHONE: 459 1144	TELEGRAPHIC CODE "SIDCHROME MELB"
TASMANIA	MARSDEN BROS. 22 CHARLES STREET, LAUNCESTON, 7250	PHONE: (003) 31 8673	
TASMANIA	J. MARSDEN, 9 CHESTERMAN STREET, MOONAH, 7009	PHONE: (002) 72 3088	
N.S.W.	SIDCHROME, 49-51 PUNCHBOWL ROAD BELLFIELD, 2191	PHONE: (02) 642 7070 (02) 642 7475	"SIDCHROME N.S.W."
QUEENSLAND AND NORTHERN TERRITORY	SIDCHROME 35 LACKEY AVENUE, COORPAROO, 4151	PHONE: (07) 397 0388	"SIDCHROME QLD"
SOUTH AUSTRALIA	SIDCHROME, 95 RUNDLE STREET, KENT TOWN, 5067	PHONE: (08) 42 4794	"SIDCHROME S.A."
WEST AUSTRALIA	SIDCHROME, 245 CHURCHILL AVENUE, SUBIACO, 6008	PHONE: (09) 381 9419	"SIDCHROME"

TOGGLE CLAMPS CATALOGUE

DAWN



FACTORY and SALES OFFICE

1 NORRIS STREET, NORTH COBURG, VICTORIA, AUSTRALIA, 3058

Telephone 350 3811 (6 lines)

*Reprint
made
Dawn/Arve
back*

*Capital Press
Received
Friday 23/12/83*

What Toggle Clamps will do for you . . .

INCREASE PRODUCTION RATE

P.T. Toggle Clamps offer secure clamping and release. Removal and insertion of parts is done quickly and easily. Their quick, positive clamping and accuracy combine for greater ease of operation and consequent higher production.

SAVE TIME AND MONEY

By using P.T. Toggle Clamps, the tool engineer is able to design much more simplified, fool proof jigs and fixtures... fixtures which are accurate and assure rigid holding of parts with one swift movement. A single pull on the handle releases the part instantaneously when the manufacturing operation is complete.

REDUCE WORKING FATIGUE

All P.T. Toggle Clamps are quick-acting. Because they lock automatically and hold firmly, operator fatigue is reduced to a minimum. The removal and insertion of parts is thus accomplished with the least possible labour, with all unnecessary hand movement and manipulation eliminated. This greater ease of operation must result in higher production.

GUARANTEE

All "Dawn" Products are guaranteed against faulty materials and workmanship.

DISTRIBUTOR TRADING TERMS

Orders received from Australian Distributors will be delivered either F.I.S. or transport depot capital cities.

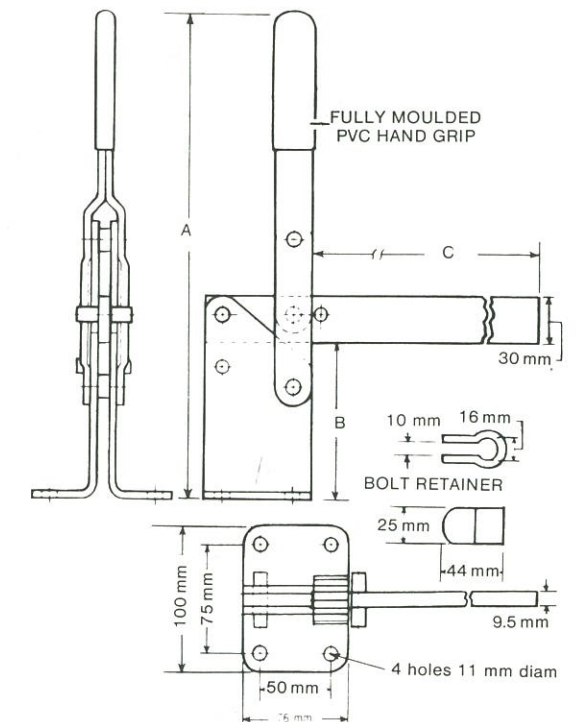
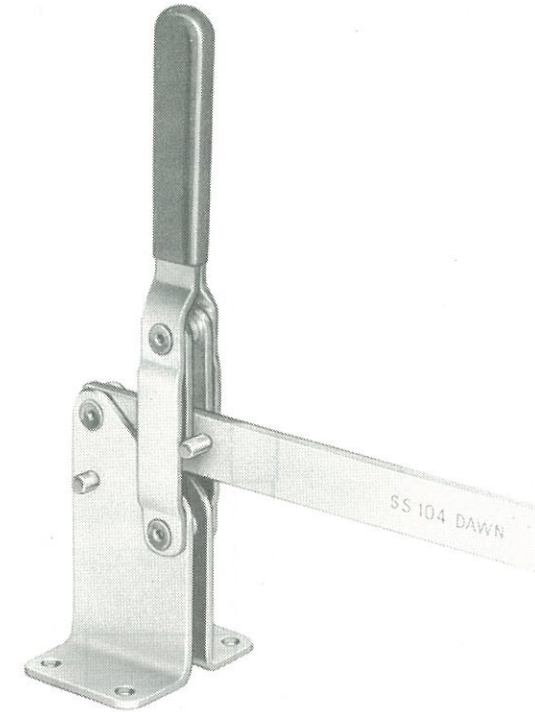
THIS CATALOGUE HAS BEEN PRODUCED TO SERVE AS A GUIDE TO SWIFTER AND MORE ACCURATE PRODUCTION.

WE PRESENT THIS DAWN RANGE OF TOGGLE CLAMPS KNOWING THAT IT WILL ENABLE THE TOOL ENGINEER TO DESIGN INFINITELY BETTER AND FOOLPROOF JIGS AND FIXTURES.

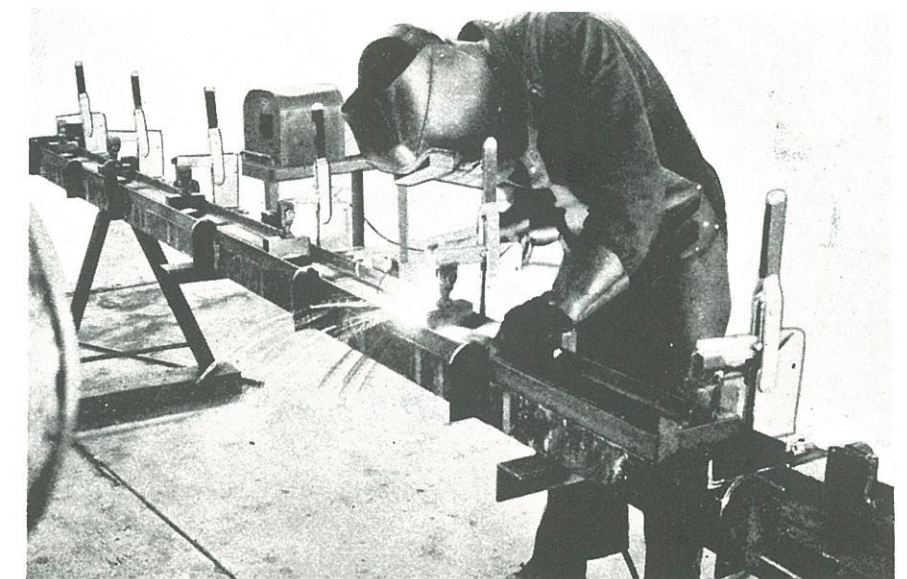
SOLID BAR TYPE

MODEL SS-104

- (a) Solid Bar Clamp
- (b) Separate bolt retainer to take adjustable spindlers to hold bar at any desired angle to compensate for angle of contact. (For details see Accessories page).
- (c) Handle fitted with plastic safety grip.



MODEL NO.	CATALOGUE No.	SIZE (mm) AT A B C	HOLDING PRESSURE (kg)	WEIGHT (kg)
SS-104	12658-6	345 110 200.	545	2.5



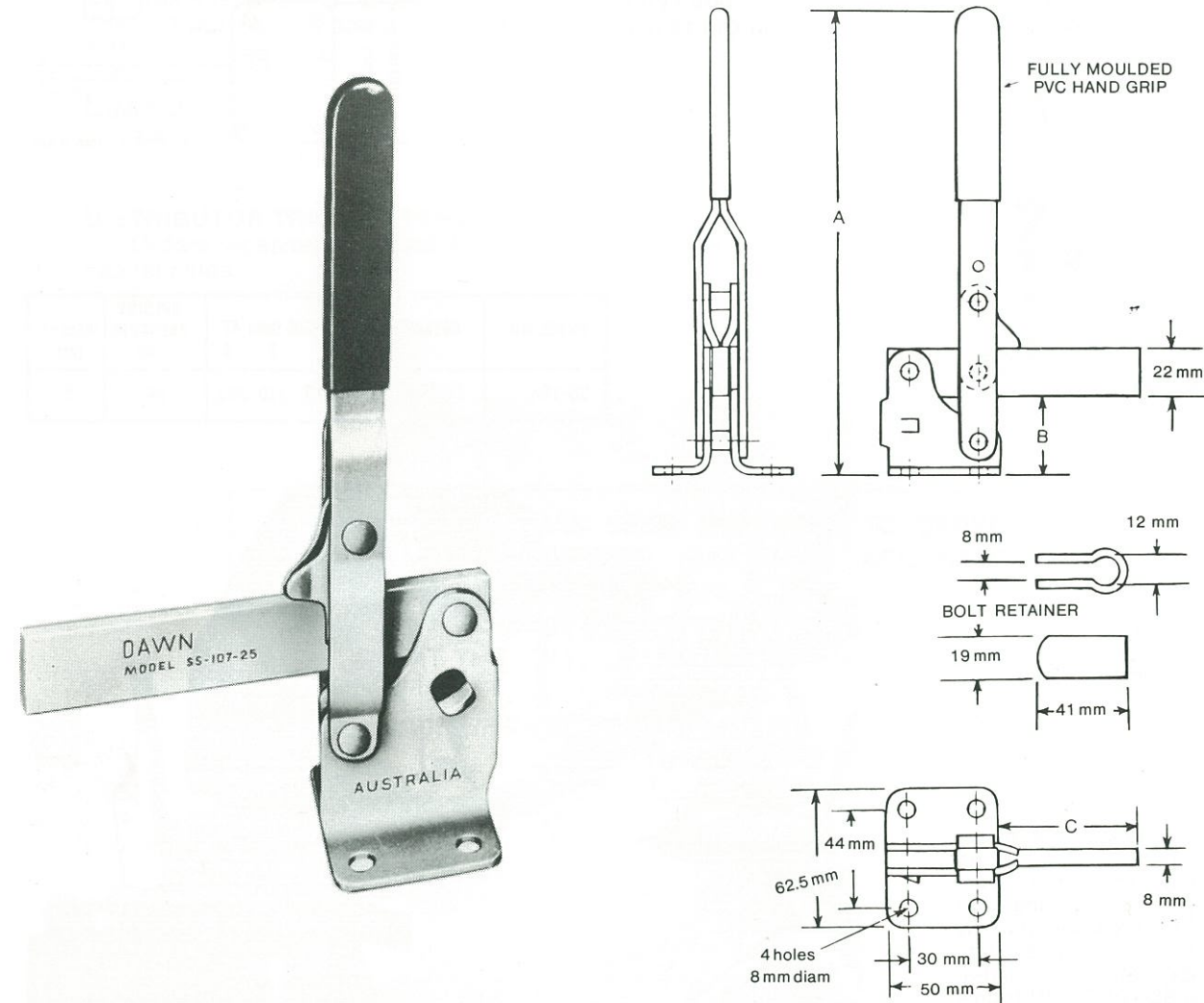
Two lengths of heavy angle iron are located and prevented from twisting during a WELDING operation by the rapid and very firm application of a number of SS-104 DAWN Toggle Clamps.

SOLID BAR TYPE

MODELS SS-107-25/35/50

- (a) Solid Bar Clamps
- (b) Separate bolt retainer to take adjustable spindles to hold bar at any desired angle to compensate for angle of contact.
- (c) Handle fitted with plastic safety grip.

MODEL NO.	CATALOGUE No.	SIZE (mm) AT			HOLDING PRESSURE (kg)	WEIGHT (kg)
		A	B	C		
SS-107-25	12643-9	206	36	62.5	400	0.5
SS-107-35	12644-7	225	55	87.5	375	0.6
SS-107-50	12645-5	246	75	125	350	0.65

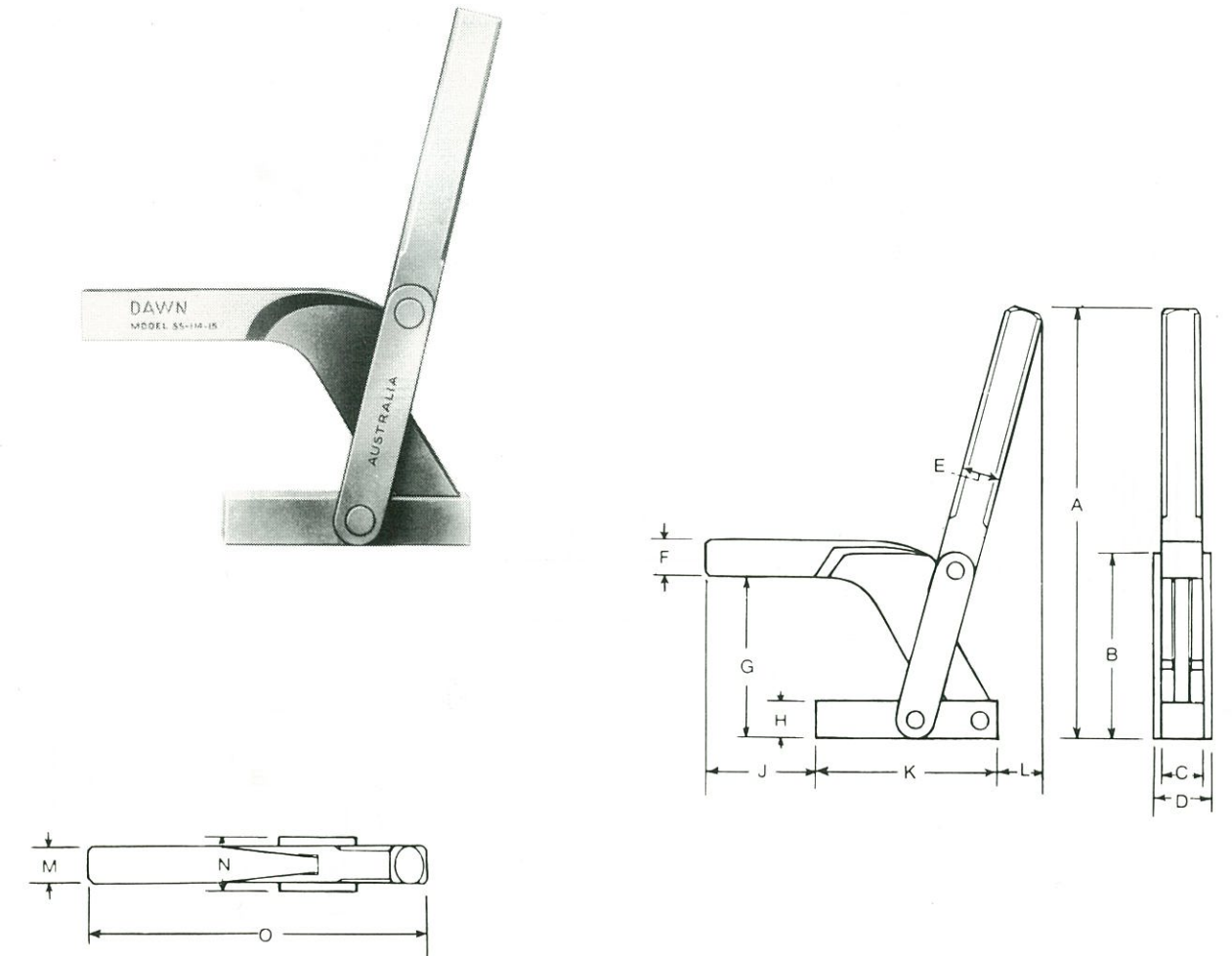


SOLID BAR TYPE ANGULAR HANDLE

MODELS SS-114-15/25/35

- (a) For most rugged production jobs
- (b) S G Ductile Iron Work Holding Bar.
- (c) Straight base for welding or drilling.
- (d) Rounded Handle for comfort in use.
- (e) Designed for maximum opening to simplify jig loading.

MODEL NO.	CATALOGUE No.	SIZE (mm) AT														HOLDING PRESSURE (kg)	WEIGHT (kg)
		A	B	C	D	E	F	G	H	J	K	L	M	N	O		
SS-114-15	12659-4	150	64	12	19	12	12	55	12	37	62.5	16	12	19	116	320	0.4
SS-114-25	12660-7	191	100	19	28	19	19	75	19	62.5	87	16	19	28	116	675	1.1
SS-114-35	12661-5	269	78	25	30	25	25	116	25	87	112	19	25	35	219	945	2.8



U BAR TYPE - PLAIN HANDLE

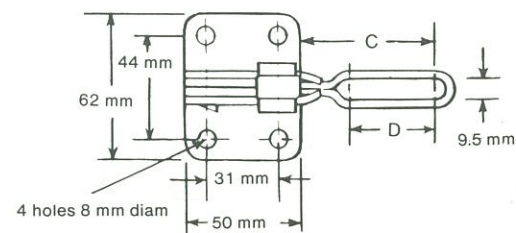
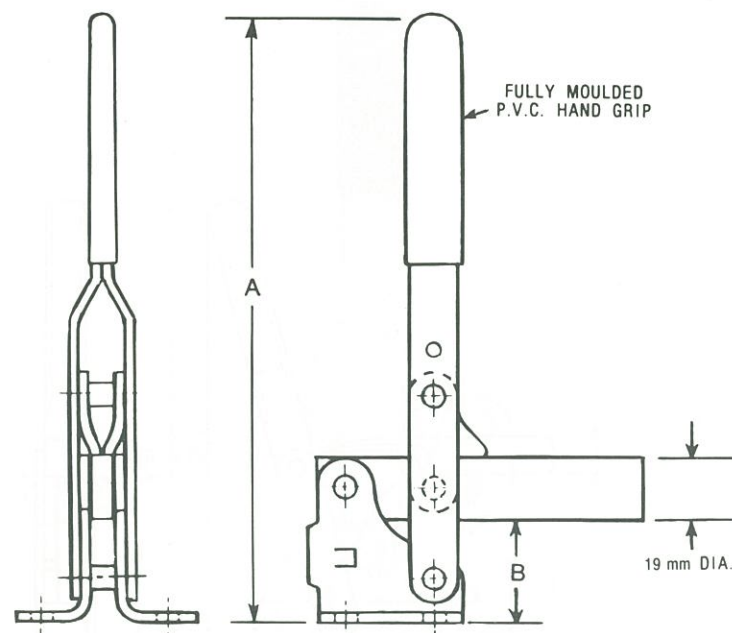
MODELS SU-107-25/35/50

(a) "U" Shaped work holding bar allows lateral adjustment of hold-down spindle or multiple clamping of work-pieces.

(b) Adaptable adjustment spindle assemblies available (for details see Accessories page).

(c) Handle fitted with plastic safety grip.

MODEL NO.	CATALOGUE No.	SIZE (mm) AT				HOLDING PRESSURE (kg)	WEIGHT (kg)
		A	B	C	D		
SU-107-25	12638-1	206	36	62.	37	400	0.5
SU-107-35	12639-3	225	55	87.	63	375	4.5
SU-107-50	12640-4	246	75	125	100	350	0.65



SOLID BAR TYPE "T" HANDLE

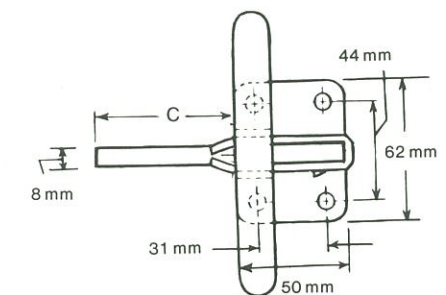
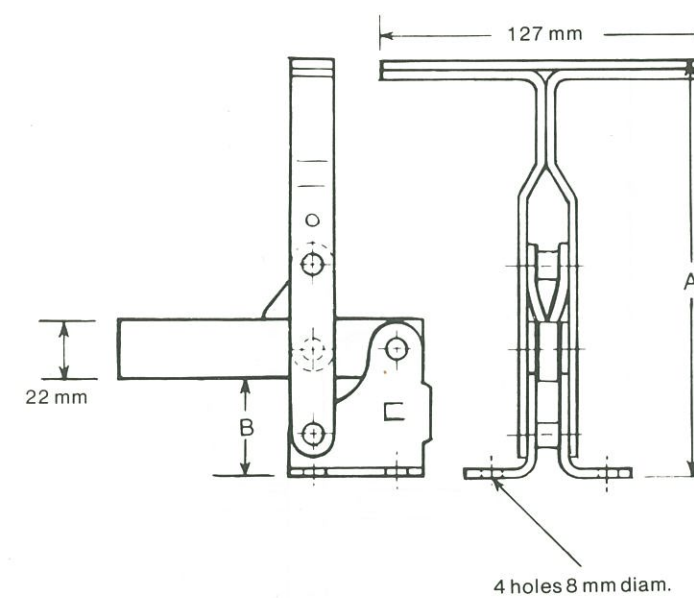
MODELS TS-107-25/35/50

(a) "T" Handle especially adapted for work in limited areas.

(b) Separate bolt retainer to take adjustable spindles to hold bar at any desired angle to compensate for angle of contact (for details see Accessories page).

(c) For details of adjustable spindle assemblies, see Accessories page.

MODEL NO.	CATALOGUE No.	SIZE (mm) AT			HOLDING PRESSURE (kg)	WEIGHT (kg)
		A	B	C		
TS-107-25	12653-5	153	36	62.	400	0.55
TS-107-35	12654-3	172	55	87.	375	0.65
TS-107-50	12655-1	193	75	125.	350	0.75

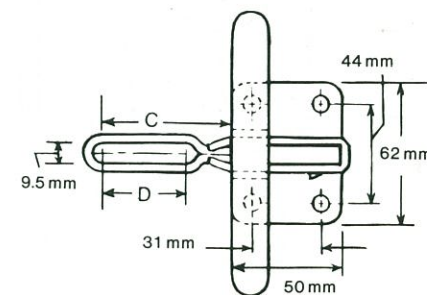
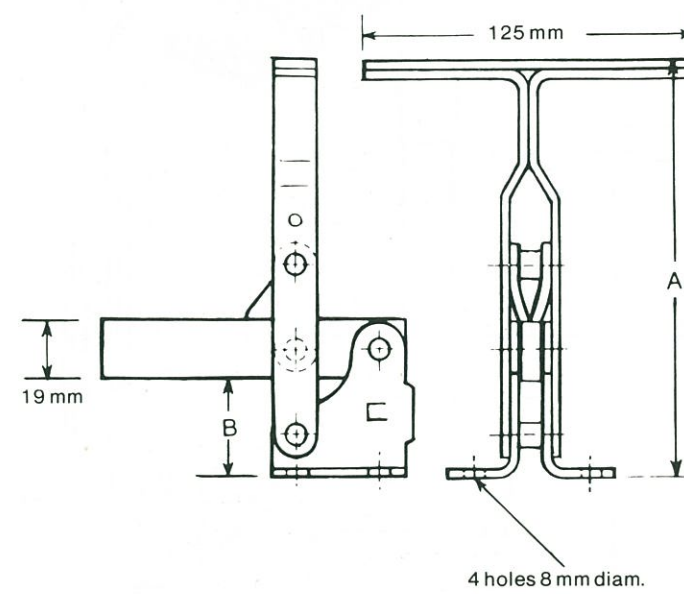
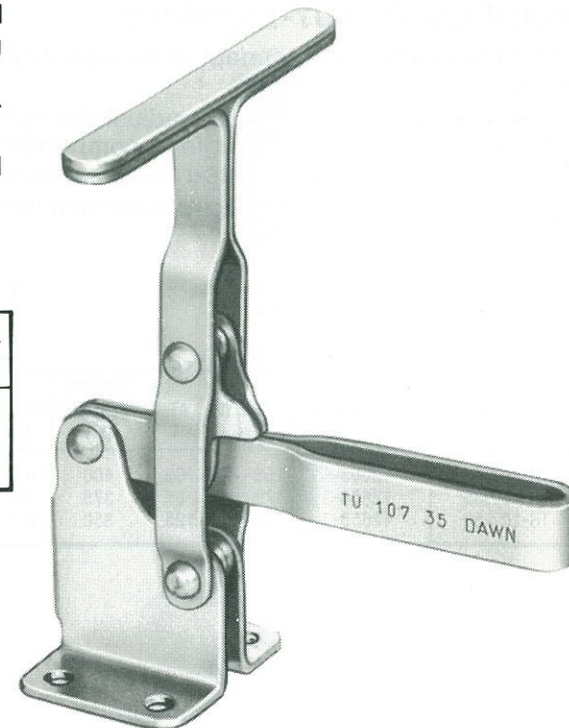


“U” BAR “T” HANDLE

MODELS TU-107-25/35/50

- (a) “U” Shaped Work Holding bar allows lateral adjustment of hold-down spindle or multiple clamping of work-pieces.
- (b) Adaptable adjustment spindle assemblies available (for details see accessory page).
- (c) “T” Handle especially adapted for work in limited areas.

MODEL NO.	CATALOGUE No.	SIZE (mm) AT				HOLDING PRESSURE (kg)	WEIGHT (kg)
		A	B	C	D		
TU-107-25	12647-1	153	36	62	37	400	0.5
TU-107-35	12649-8	172	55	87	62	375	0.55
TU-107-50	12651-9	193	75	125	100	350	0.7

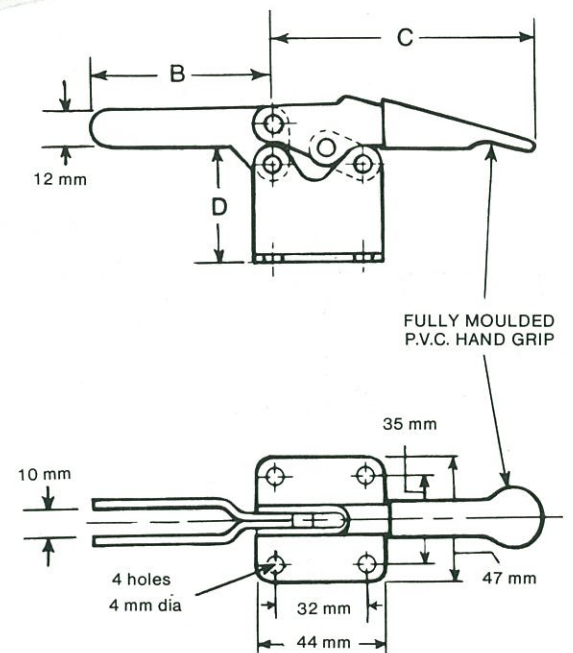
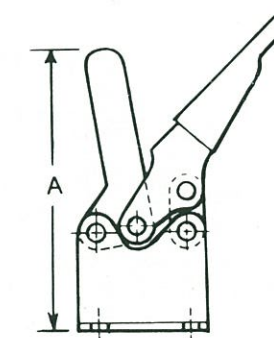


“IN LINE” HANDLE & BAR TYPE

MODELS T-106-20/25/30

- (a) Bar & Handle in line when locked.
- (b) Adaptable adjustment spindle assemblies available (for details see Accessories page).
- (c) Handle fitted with plastic safety grip.

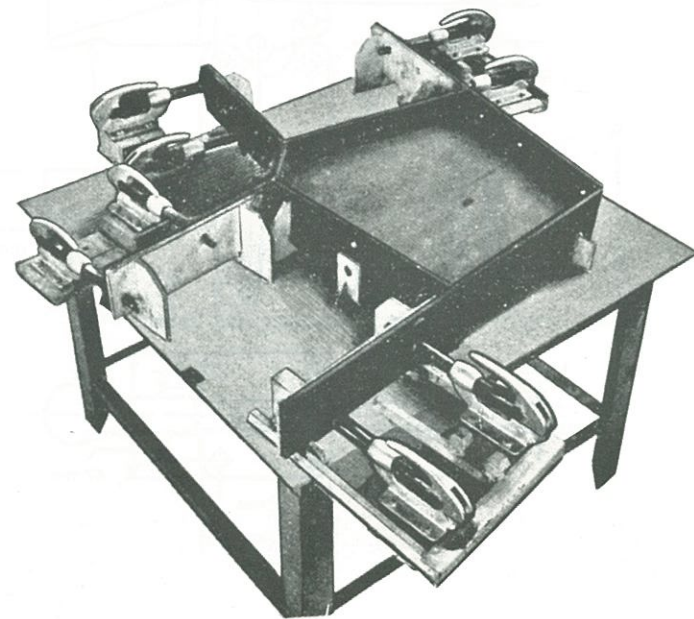
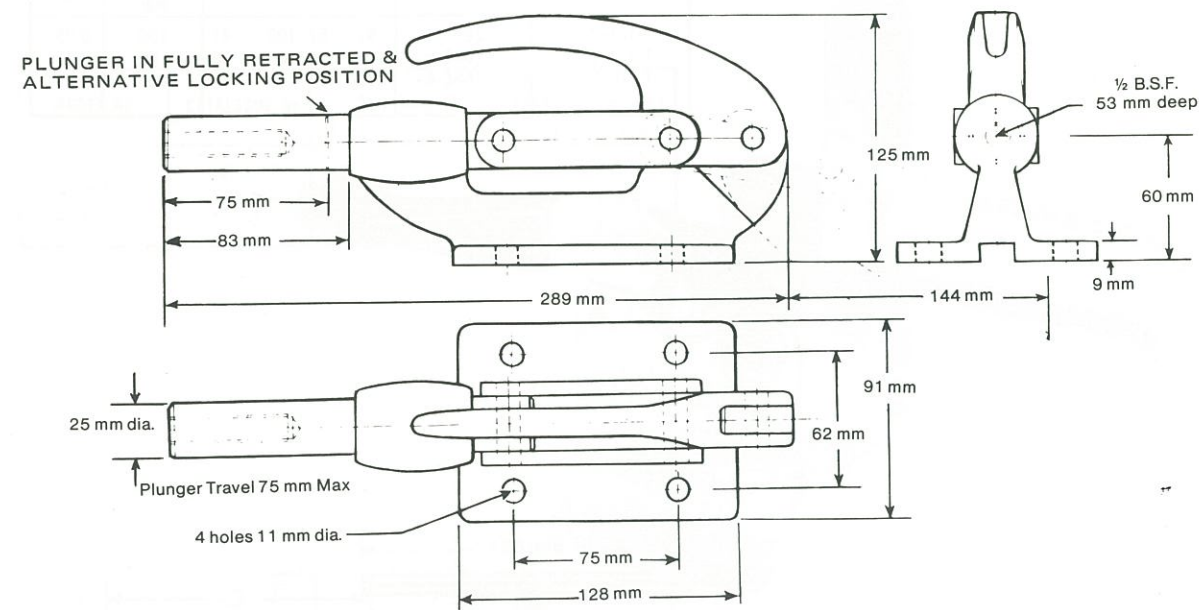
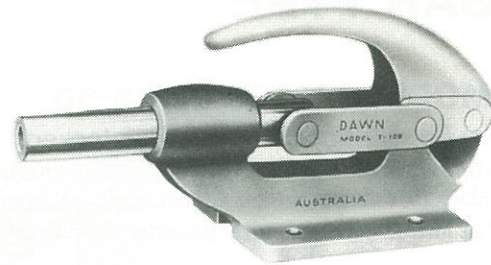
MODEL NO.	CATALOGUE No.	SIZE (mm) AT				HOLDING PRESSURE (kg)	WEIGHT (kg)
		A	B	C	D		
T-106-20	12663-1	97	62	103	41	160	0.25
T-106-25	12665-8	122	75	103	53	150	0.25
T-106-30	12666-6	147	87	103	66	135	0.3



PLUNGER TYPE (Extra Heavy Duty)

MODEL T109

- (a) Both base and handle are SG (Ductile Iron) Castings.
- (b) Designed for either "Push" or "Pull" operation.
- (c) Clamp locks in both positions.
- (d) Adaptable adjustable spindle assemblies available (for details see Accessory page).



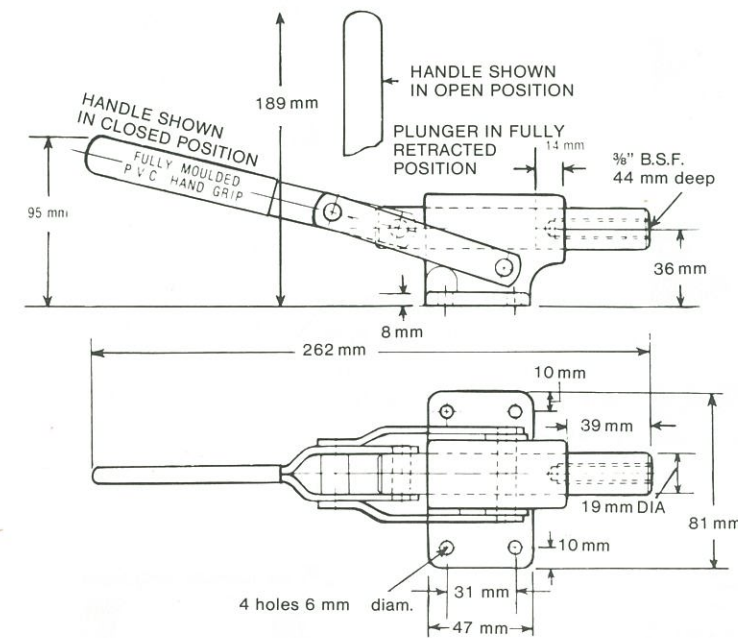
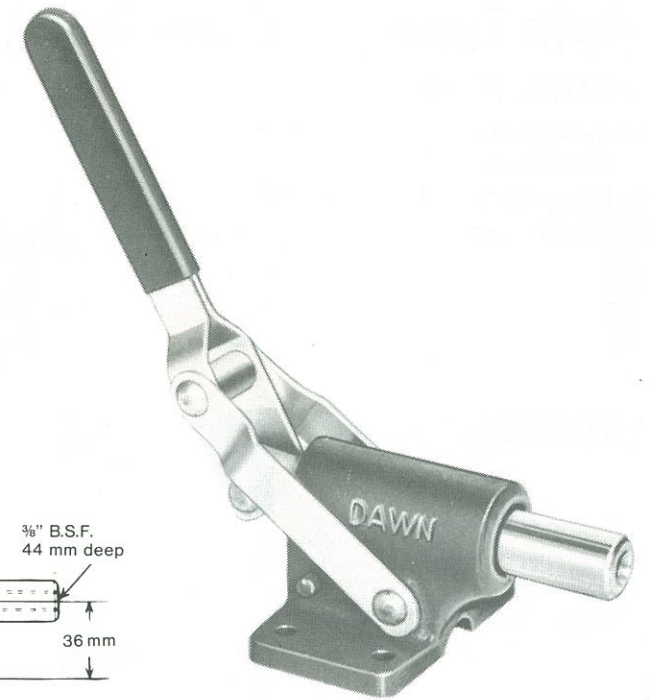
MODEL NO.	CATALOGUE No.	HOLDING PRESSURE (kg)	WEIGHT (kg)
T109	12671-1	1800	2.5

LEFT: Eight T-109 DAWN Plunger Clamps serve a double purpose on this heavy duty welding jig. For accurate location, the plunger end fits through the parts to be held, while the pads provide the heavy clamping force required to hold the components against welding stresses.

PLUNGER TYPE (Medium Duty)

MODEL T-110

- (a) Designed for direct "Push" locking
- (b) Low overall height
- (c) Body made of SG (Ductile Iron) casting.
- (d) Handle fitted with plastic safety grip.



MODEL NO.	CATALOGUE No.	HOLDING PRESSURE (kg)	WEIGHT (kg)
T110	12670-3	270	0.70

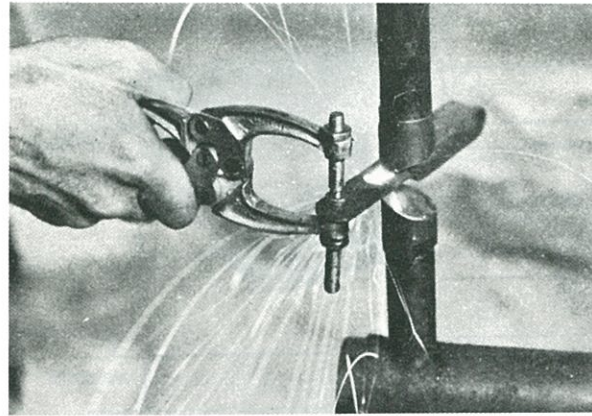


An efficient little drill jig uses this T-100 plunger clamp to lock two components securely in position for DRILLING.

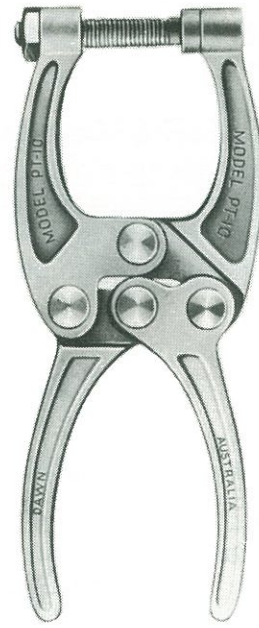
PORTABLE TOGGLE - Plain Type (Medium Duty)

MODEL PT10

- (a) Instant one handed clamping
- (b) Positive holding pressure
- (c) Drop Forged steel components.
- (d) Copper plated spindle throws off welding spatter.



A DAWN 10 Toggle Clamp locates and holds two components in one swift movement during a spot welding operation.

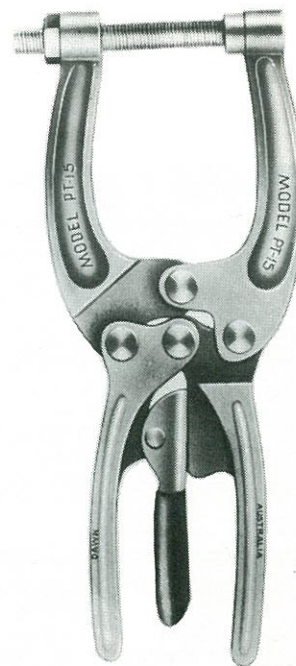


PORTABLE TOGGLE - Plier Type (Heavy Duty)

MODEL PT15

- (a) Instant one handled clamping.
- (b) Quick Action two way release trigger.
- (c) Positive holding pressure
- (d) Copper plated spindle throws off welding spatter.
- (e) Drop Forged steel components.

MODEL NO.	CATALOGUE No.	JAW OPENING	HOLDING PRESSURE (kg)	WEIGHT (kg)
PT10	12673-8	25	135	0.25
PT15	12674-6	37	225	0.60



ROD CUTTER

FEATURES

- Minimum deformation of bar.
- No burr left on either cut portion.
- High cutting speed.
- Exceptional ease of operation.

CAT No. 12716-7

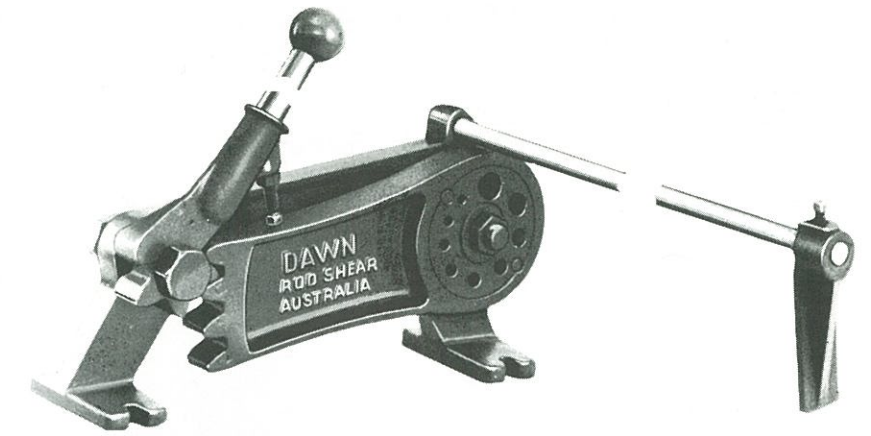
- Sizes:- 3, 5, 6, 8, 10, 11, 12, 14
- Cutting head thickness 25mm
- Overall height (excluding handle) 175mm
- Overall length 330mm
- Overall width 95mm

SPECIFICATIONS

PACK QTY. 1 PKG. WT. 10800g

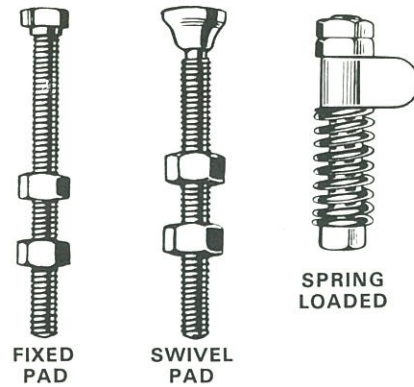
Cutting head is provided with 8 holes ranging from 3mm to 14mm

Cutting head holes are reamed to 0.127mm to 0.203mm oversize to provide the best possible cut on all standard cold finish bars.



SPINDLE ACCESSORIES
TO SUIT ALL 'DAWN' TOGGLE CLAMPS

- 19/1072 Model 2538SL
65 mm x 3/8" BSF, Spring Loaded,
Fixed Pad. (Suitable for
SU107-25, TU107-25, all 106's)
- 19/1073 Model 3038FP
75 mm x 3/8" BSF, Fixed Pad, all
copper plated. (Suitable for SU107-35,
TU107-35, T110)
- 19/1074 Model 3038SF
75 mm x 3/8" BSF, Swivel Pad, all
copper plated. (Suitable for SU107-35,
TU107-35, T110)
- 19/1075 Model 3038SL
75 mm x 3/8" BSF, Spring Loaded,
Fixed Pad. (Suitable for SU107-35,
TU107-35, T110)
- 19/1076 Model 3538FP
90 mm x 3/8" BSF, Fixed Pad, all
copper plated. (Suitable for SU107-50,
TU107-50, T110)
- 19/1077 Model 3538SF
90 mm x 3/8" BSF, Swivel Pad, all
copper plated. (Suitable for SU107-50,
TU107-50, T110)
- 19/1078 Model 3538SL
90 mm x 3/8" BSF, Spring Loaded,
Fixed Pad. (Suitable for SU107-50,
TU107-5, T110)



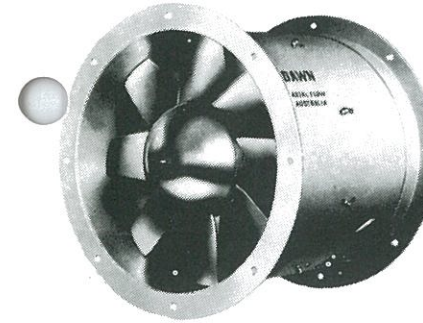
32 Clarice Road,
Box Hill South. 3128
Telephone: 898 9236

Norris Street,
North Coburg. 3058
Telephone: 350 3811

A FAN FOR EVERY PURPOSE
Ventilation — Dust and Fume Control-Conveying — Combustion

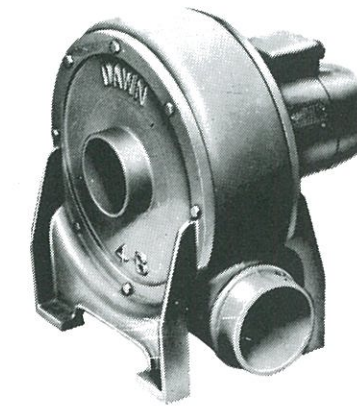
INDUSTRIAL FANS

**AXIAL FLOW
FANS**



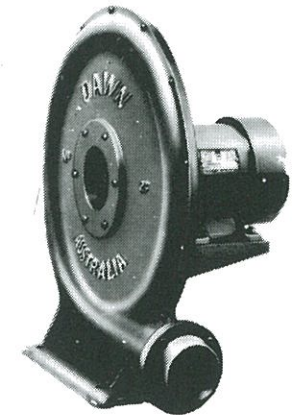
● Axial-Flow Fans.....2 Dia.
375 mm and 900 mm

**CAST IRON
EXHAUST FANS**



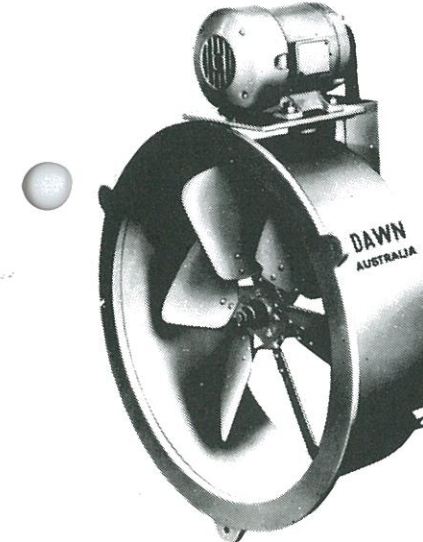
65 mm to 150 mm

**CAST IRON
PRESSURE BLOWERS**



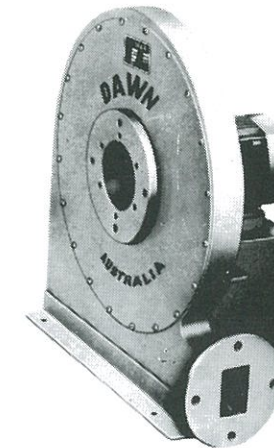
Cast Iron Pressure Blowers.....2 sizes
1F and 2F

**ENCLOSED
PROPELLER FANS**



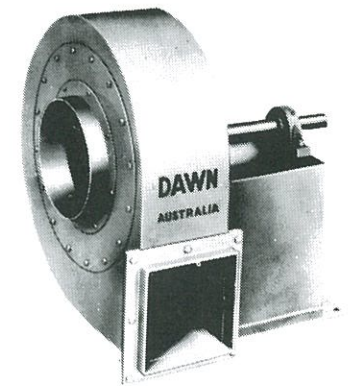
● Enclosed Propellers...5 sizes
450 mm to 1200 mm
● Open Propellers....5 sizes
450 mm to 1200 mm
● Split-Hub Propellers..6 sizes
450 mm to 1200 mm

**FABRICATED
PRESSURE BLOWERS**



● Fabricated pressure Blowers.....7 sizes
3FS to 9FS
● High Pressure Blowers
unlimited range up to
5000 CFM at 5 PSI.

**MILL EXHAUST
FANS**



● Mill Exhausts.....8 sizes
225 mm to 600 mm

We welcome the opportunity to quote for the Manufacture of Fans for any industrial application
which may not be satisfied by a standard fan.