

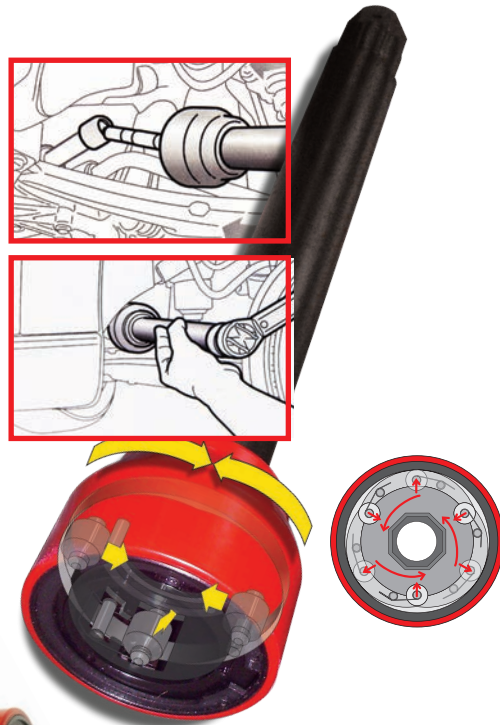
DAWN Australian Distributor for



Universal Tie Rod Removal Tool, -29910-MHW

Features

- Works on ANY shape inner tie rod end including rounds with no flats
- OEM's and replacement parts manufacturers have stopped making tie rods with flats, hex or octagonal shapes to facilitate remove, and now all are going to a perfectly round shape with no flats
- All in one, simple single piece design covers a wide size range as opposed to specific sized sets with different sets with different sizes
- Compact, sturdy construction Patented roller and cam mechanism allows it to clamp onto ANY shape
- Works similar to a large stud extractor
- Covers any size and shape from 35mm to 45mm
- Made in France



Part Number	Description	Length (mm)	Width (mm)	Height (mm)	Weight (kg)
29910-MHW	Universal Inner Tie Rod Removal Tool	444	89	89	1.9

SAFETY: Always wear safety goggles when using above items.