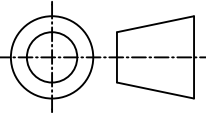


| | | | | | |
|----------|--|---------------|---|----------------------------|--------------|
| DRAWN | | VIEW OF ANGEL |  | DAWN TOOLS & VICES PTY LTD | |
| APPROVAL | | | | | |
| CHECK | | UNIT | mm | NAME | TOGGLE CLAMP |
| DATE | | SIZE | A4 | MODEL NO. | 61284 (T108) |
| ORDER | | SCALE | 1:1 | MATERIAL | AISI 1008 |
| UPDATE | | NOTE | | SURFACE TREATMENT | ZINC |