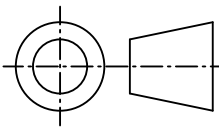


DRAWN		VIEW OF ANGEL		DAWN TOOLS & VICES PTY LTD	
APPROVAL		UNIT	mm	NAME	TOGGLE CLAMP
CHECK		SIZE	A4	MODEL NO.	61765
DATE		SCALE	1:1	MATERIAL	AISI 1008
ORDER		NOTE		SURFACE TREATMENT	ZINC
UPDATE					