

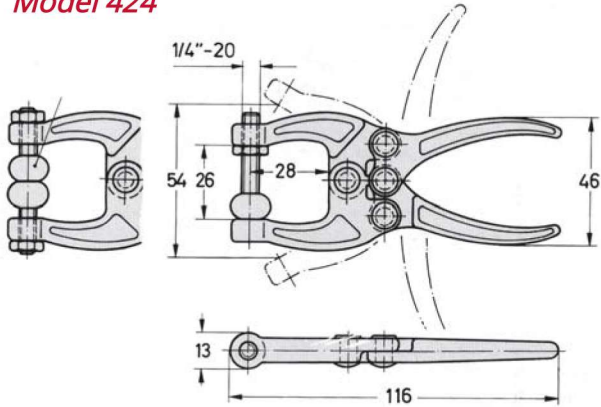
# DAWN PLIER CLAMPS SQUEEZE ACTION

These toggle plier clamps are made of dropped forged steel. All pliers are galvanised and have stainless steel rivets. Most of them have a patented quick release lever allowing the pliers to be opened by hand easily. All models come with 2 vinyl handles. Plier clamps can be used in all industrial and manufacturing areas.

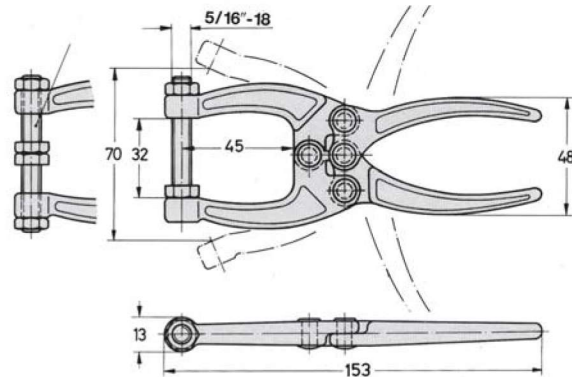


Model	424	441	462	463	482	484
Holding Force daN	90	150	320	320	540	540
Weight kgs	0.2	0.25	0.6	0.65	0.9	1.05

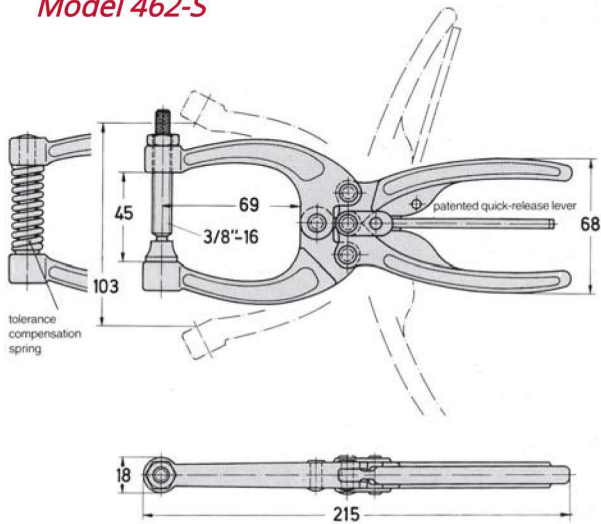
**Model 424**



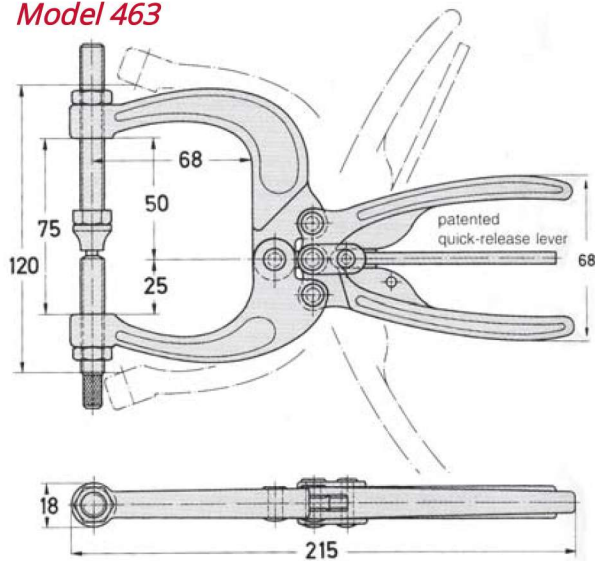
**Model 441**



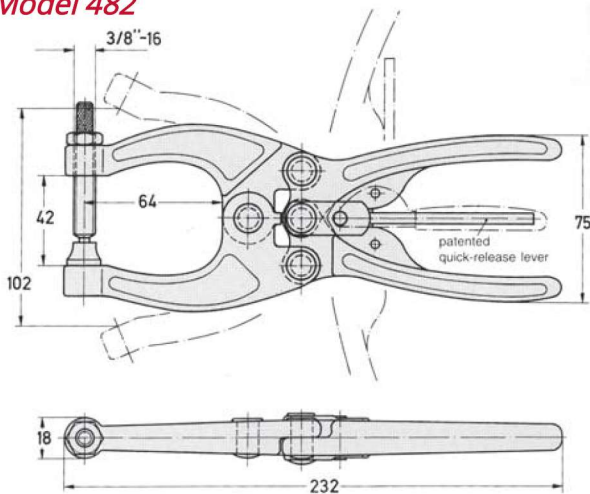
**Model 462-S**



**Model 463**



**Model 482**



**Model 484**

